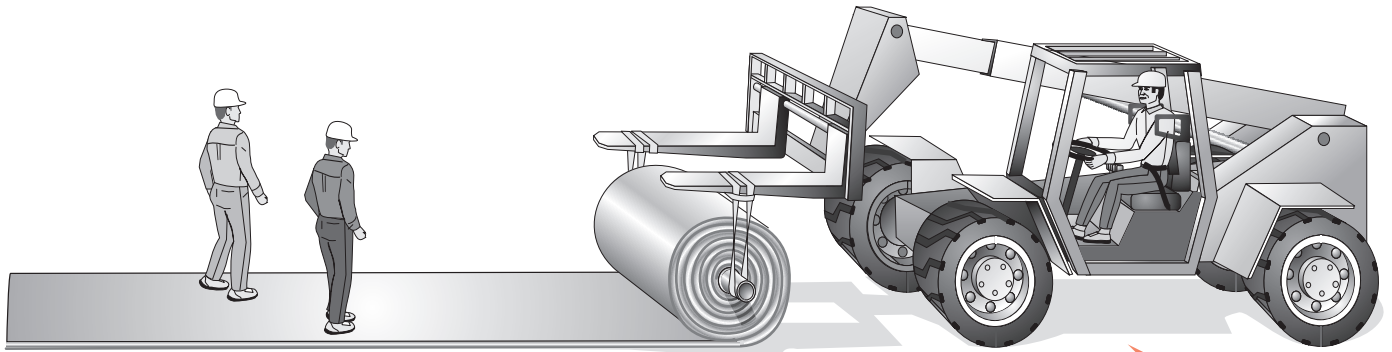


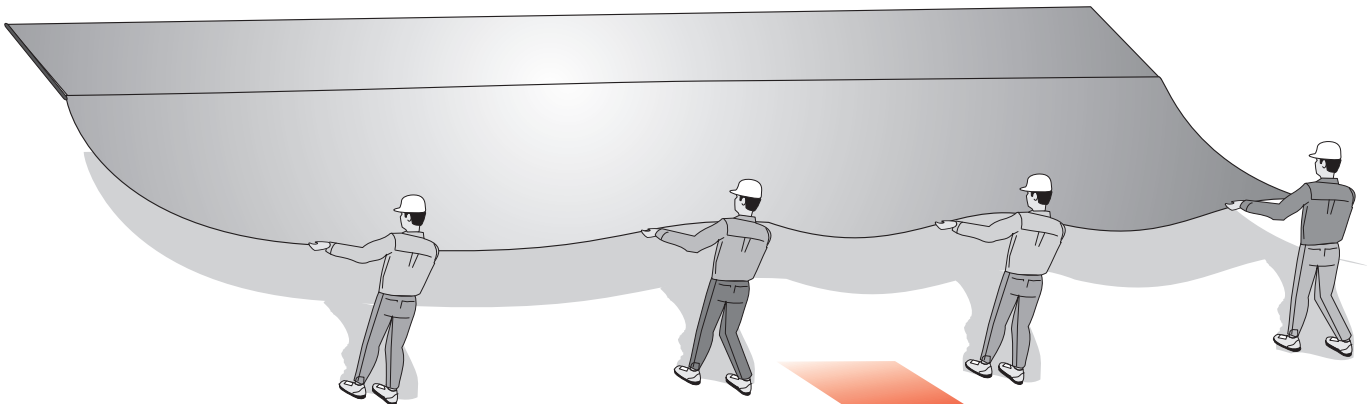
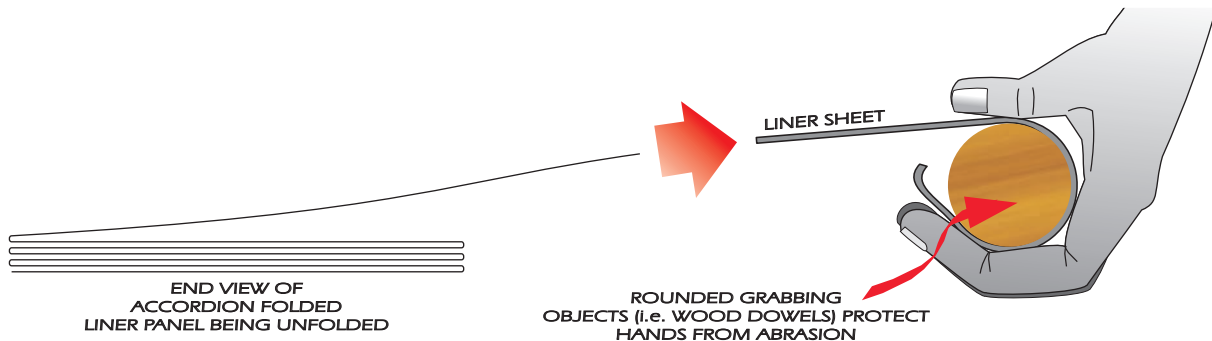
# DEPLOYING FOLDED & ROLLED LINER PANELS

(PVC, Reinforced Polypropylene, Hypalon, XR-5, Reinforced Polyethylene)



AVAILABLE PERSONNEL  
WALK ON  
DEPLOYED LINER FOR  
BALLAST/TENSION

## INITIAL PANEL DEPLOYMENT



## SECONDARY ACCORDION UN-FOLD