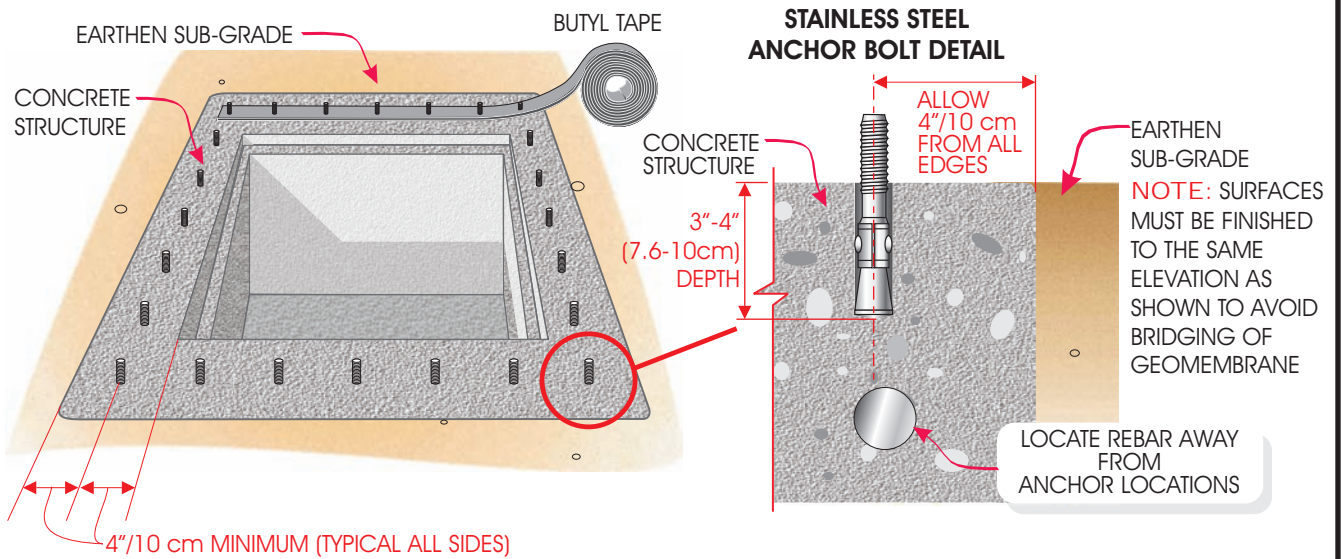


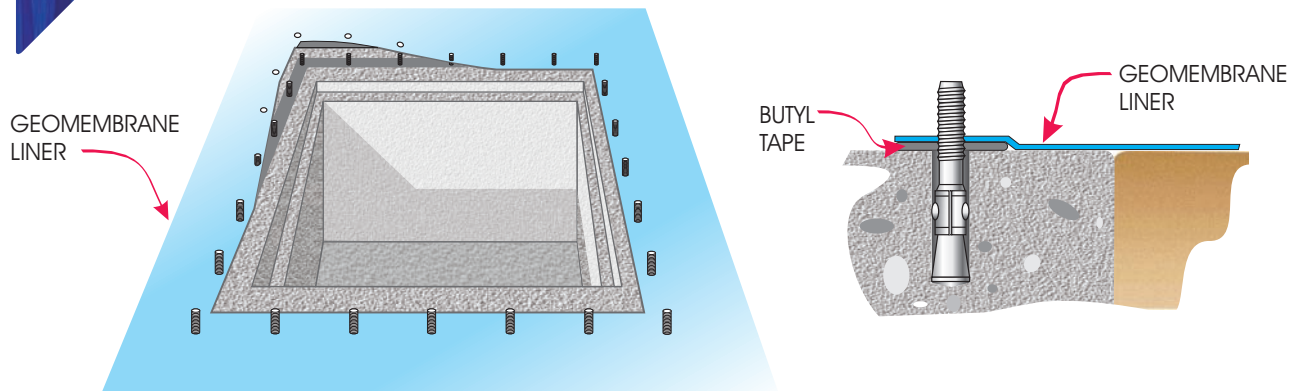
1

ANCHOR BOLTS ARE PLACED ON 6" (15cm) CENTERS FOR UNDERWATER LOCATIONS AND 12" (30.5 cm) FOR ABOVE WATER LOCATIONS. BUTYL TAPE IS APPLIED OVER BOLT PATTERN



2

LINER AND IS HOLE PUNCHED AND PLACED OVER BOLT PATTERN



3

PRE-CUT AND DRILLED STAINLESS STEEL BATTEN STRIPS ARE BOLTED INTO PLACE AND A BEAD OF SEALANT CAULKING IS ADDED

